

**LEGEND**

SD-35362-\*\*\*\*

CTK NO. COLOR

- 0 : NATURAL
- 1 : BLACK
- 2 : RED
- 3 : YELLOW
- 4 : BLUE
- 5 : GREEN
- 6 : TUBE PACKING (Natural Color)
- 7 : TUBE PACKING (Red Color)
- 8 : TUBE PACKING (Blue Color)

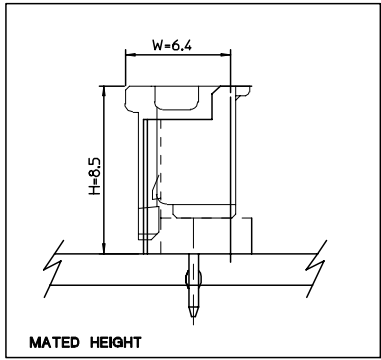
FINAL GOOD (BULK) 5 : SELECTIVE KINK (LEAD FREE)  
6 : NONE KINK (LEAD FREE)

SUB ASSY (TUBE) 7 : SELECTIVE KINK (LEAD FREE)  
8 : NONE KINK (LEAD FREE)

- NOTES**
1. MATERIAL : UNFILLED POLYAMIDE, UL94V-0  
PIN : BRASS, TIN PLATED
  2. FINISHES : TERMINAL : Sn 2-3um OVERALL
  3. PRODUCT SPECIFICATION : PS-35507-003
  4. MATING HOUSING : 35507-\*\*\*0  
MATING TERMINAL : 50212-8000
  5. KINK

| CTK NO     | 1 | 2 | 3 | 4 | 5 | N-2 | N-1 | N |
|------------|---|---|---|---|---|-----|-----|---|
| 6 CKT OVER | - | A | B | - | - | B   | A   | - |
| 5 CKT      | A | B | - | B | A |     |     |   |
| 4 CKT      | A | B | B | A |   |     |     |   |

|      |    |      |           |            |     |
|------|----|------|-----------|------------|-----|
| 31.3 | 28 | 32.3 | 3536215** | 35362-15** | 15  |
| 29.3 | 26 | 30.3 | 3536214** | 35362-14** | 14  |
| 27.3 | 24 | 28.3 | 3536213** | 35362-13** | 13  |
| 25.3 | 22 | 26.3 | 3536212** | 35362-12** | 12  |
| 23.3 | 20 | 24.3 | 3536211** | 35362-11** | 11  |
| 21.3 | 18 | 22.3 | 3536210** | 35362-10** | 10  |
| 19.3 | 16 | 20.3 | 3536209** | 35362-09** | 9   |
| 17.3 | 14 | 18.3 | 3536208** | 35362-08** | 8   |
| 15.3 | 12 | 16.3 | 3536207** | 35362-07** | 7   |
| 13.3 | 10 | 14.3 | 3536206** | 35362-06** | 6   |
| 12.3 | 8  | 12.3 | 3536205** | 35362-05** | 5   |
| 9.3  | 6  | 10.3 | 3536204** | 35362-04** | 4   |
| .    | .  | .    | ENG. NO.  | ENG. NO.   | CKT |



**LEAD FREE**

|                   |       |
|-------------------|-------|
| 30 over           | ±0.3  |
| 10 over 30 under  | ±0.25 |
| 10 under          | ±0.2  |
| ANGLE             | ±3°   |
| GENERAL TOLERANCE |       |

REVISED  
EC NO: KOR2007-0144  
DRWN:HJEONG 2007/05/11  
CHKD:YSOOKIM 2007/05/22  
APPR:YUNSIKKIM 2007/05/29

QUALITY SYMBOLS  
▽=0  
△=0

GENERAL TOLERANCES (UNLESS SPECIFIED)

|               | mm   | INCH |
|---------------|------|------|
| 4 PLACES      | ±--- | ±--- |
| 3 PLACES      | ±--- | ±--- |
| 2 PLACES      | ±--- | ±--- |
| 1 PLACE       | ±--- | ±--- |
| ANGULAR ±---° |      |      |

DRAFT WHERE APPLICABLE  
MUST REMAIN WITHIN DIMENSIONS

DIMENSION STYLE  
MM ONLY

DRAWN BY YSOOKIM DATE 1996/09/11  
CHECKED BY DATE 1996/09/11  
APPROVED BY CWLEE DATE 1996/09/11

MATERIAL NO. ENTER PART  
SIZE A3 THIS DRAWING CONTAINS INFORMATION THAT IS PROPRIETARY TO MOLEX INCORPORATED AND SHOULD NOT BE USED WITHOUT WRITTEN PERMISSION

SCALE 5:1  
DESIGN UNITS METRIC  
THIRD ANGLE PROJECTION

TITLE 2.0 W/B WAFER ASS'Y -LEAD FREE-

MOLEX MOLEX INCORPORATED  
DOCUMENT NO. SD-35362-002 SHEET NO. 1 OF 3



DWG. NO.  
SD-35362-003

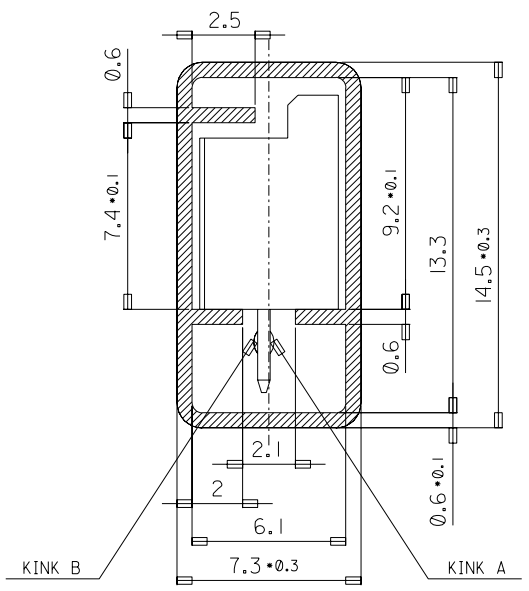
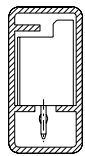
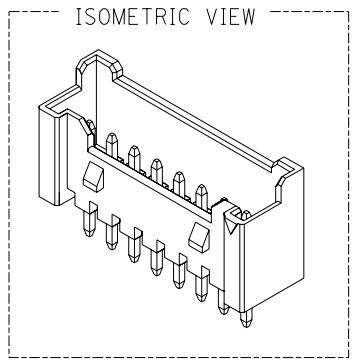
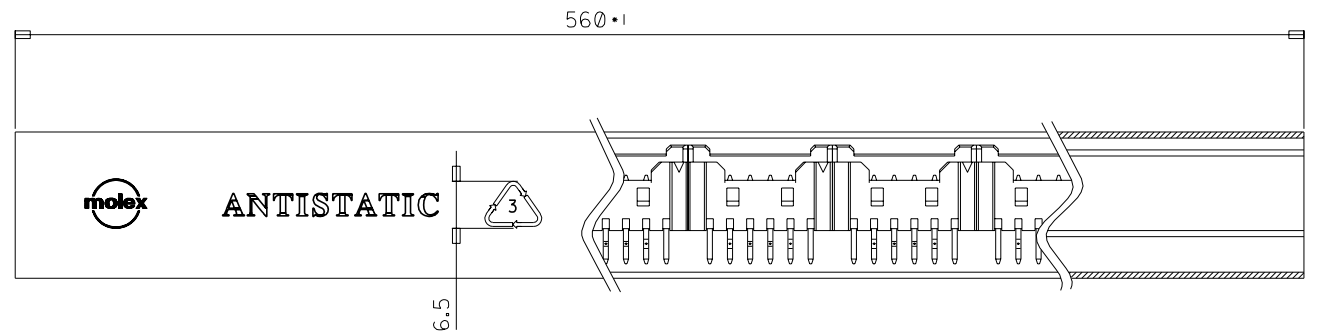
SIMILAR ITEM

PROJECT NO.

C

B

DO NOT SCALE DRAWING  
DIMENSION IN METRIC



**LEGEND.**

E-35362-\*\*\* \*\*

2-20 Circuits- [CKT NO.]

Final GOOD (Bulk)    5 : SELECTIVE KINK  
                                  6 : NONE KINK

Sub Assy (Tube)    7 : SELECTIVE KINK  
                                  8 : NONE KINK

COLOR & PACKING

0 : NATURAL  
1 : BLACK  
2 : RED  
3 : YELLOW  
4 : BLUE  
5 : GREEN  
6 : TUBE PACKING (Natural Color)  
7 : TUBE PACKING (RED Color)  
8 : TUBE PACKING (BLUE Color)

**NOTES**

- MATERIAL : TUBE - TRANSLUCENT P.V.C (P-1000)  
Wafer - POLYAMIDE, UL94V-0  
PIN - BRASS SQ 0.5mm
- BOW(CAMBER): 1.0mm MAX/Total Length
- DIMENSIONS GIVEN ACROSS CENTER LINES ARE SYMMETRICAL ABOUT THOSE CENTER LINES WITH HALF THE TOTAL LENGTH.
- TOTAL TUBE LENGTH : 560mm ± 1mm
- TWIST : 5° MAX./Total Length
- BURRS : 0.2mm MAX.
- SKREW : PRODUCTS MUST BE FLOWED SMOOTHLY WHEN THIS STICK IS PLACES 30° ANGLE.
- THICKNESS : 0.6mm ± 0.1mm
- ARTWORK : PER E-35900-0434 (SILK SCREEN COLOR : RED)
- APPLICABLE STOPPER(RUBBER) : 35900-0435

**TABLE**

|      |              |            |     |
|------|--------------|------------|-----|
| 10   | 20**         | -20**      | 20  |
| 10   | 19**         | -19**      | 19  |
| 10   | 18**         | -18**      | 18  |
| 10   | 17**         | -17**      | 17  |
| 15   | 16**         | -16**      | 16  |
| 15   | 15**         | -15**      | 15  |
| 15   | 14**         | -14**      | 14  |
| 15   | 13**         | -13**      | 13  |
| 15   | 12**         | -12**      | 12  |
| 20   | 11**         | -11**      | 11  |
| 20   | 10**         | -10**      | 10  |
| 25   | 09**         | -09**      | 9   |
| 25   | 08**         | -08**      | 8   |
| 30   | 07**         | -07**      | 7   |
| 35   | 06**         | -06**      | 6   |
| 40   | 05**         | -05**      | 5   |
| 50   | 04**         | -04**      | 4   |
| 60   | 03**         | -03**      | 3   |
| 70   | 3536202**    | 35362-02** | 2   |
| QT'y | Material NO. | ENG. NO.   | CKT |

KINK TABLE(FOR 35362-\*\*\*\*)

| CKT NO     | 1         | 2 | 3 | 4 | 5 | N-2 | N-1 | N |
|------------|-----------|---|---|---|---|-----|-----|---|
| 6 CKT OVER | -         | A | B | - | - | B   | A   | - |
| 5 CKT      | A         | B | - | B | A |     |     |   |
| 4 CKT      | A         | B | B | A |   |     |     |   |
| 3 CKT      | A         | B | A |   |   |     |     |   |
| 2 CKT      | None Kink |   |   |   |   |     |     |   |

|   |                                      |  |                                       |  |   |  |                  |           |
|---|--------------------------------------|--|---------------------------------------|--|---|--|------------------|-----------|
| RELEASED<br>EC NO. KOR2004-0137<br>DRAWN: YSOOKIM 04/02/25<br>CHK: YUNSIKKIM<br>APPR: C.W.LEE | QUALITY SYMBOLS<br>MAJOR<br>CRITICAL | GENERAL TOLERANCES:<br>(UNLESS SPECIFIED)            | SCALE<br>5 : 1                        | DESIGN UNITS<br><input checked="" type="checkbox"/> mm <input type="checkbox"/> INCH   | THIRD ANGLE PROJECTION<br><input type="checkbox"/> mm <input type="checkbox"/> INCH <input checked="" type="checkbox"/> mm ONLY | DIMENSIONS:<br><input type="checkbox"/> mm <input type="checkbox"/> INCH | SHT              | REV       |
|   |                                      |  | DRAWN BY & DATE<br>Y.SOO.Kim 00/12/11 | CHECKED BY & DATE<br>J.K.OH  |   |  |                  |           |
| A   | DESCRIPTION                          | ANGULAR: ± 1°  | DRAWN BY & DATE<br>Y.SOO.Kim 00/12/11 |  | MATERIAL NO. SD35362-003  |  |                  |           |
|   |                                      |  | APPROVED BY & DATE<br>C.W.LEE         |  | DRAWING NO. SD-35362-003  |  | SHEET NO. 1 of 1 |           |
| REV   |                                      | DRAFT WHERE APPLICABLE MUST REMAIN WITHIN DIMENSIONS |                                       | THIS DRAWING CONTAINS INFORMATION THAT IS PROPRIETARY TO MOLEX INCORPORATED AND SHOULD NOT BE USED WITHOUT WRITTEN PERMISSION. |   |  |                  | SIZE<br>B |

LEAD FREE